

Frialen End Cap



IPEX electrofusion products are engineered smarter than traditional fusion systems. Our couplings feature a unique, exposed coil design that provides a seal stronger than any other electrofusion system on the market. This is achieved for two reasons:

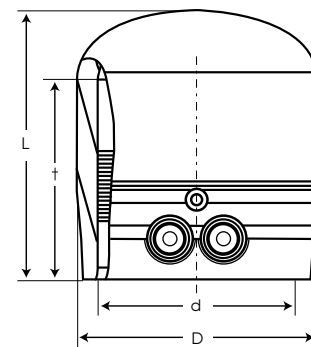
- “Exposed Coil” Design. Unlike competing embedded-coil technology, which has to heat the entire coupling, Friatec’s unique “exposed coil” melts the coupling and pipe surfaces directly, sinking into the pipe to form a leakproof bond.
- Extra Wide Fusion Zones. Friatec electrofusion couplings are designed with extra wide fusion zones that provide greater contact area, further increasing the integrity of the bond between coupling and pipe.

FEATURES / BENEFITS:

- Dimensions 1 IPS, 1 ¼ IPS, 2 IPS, 4 IPS
- Field of Application: Connections of PE Pipes 2406/2708 and 3408/4710
- Range of Application: Gas up to 125 psi / Water up to 200 psi
- Complies with ASTM F-1055 and ASTM D-2513
- Increased insertion depth
- Extra wide fusion zone
- Increased wall thickness providing maximum stability
- Exposed heating coil with direct contact to pipe
- Connector pin protected from unnecessary contact damage
- Visual fusion indicator
- Batch marking
- Individually wrapped
- NSF – 61

IPS End Cap

Size inches	Product Code	Part Number	d _{1min} /d _{1max}	t	D	L
1	MV 1 IPS	128281	1.313/1.328	1.653	1.637	2.650
1-1/4	MV 1-1/4 IPS	128282	1.658/1.673	1.889	2.053	2.772
2	MV 2 IPS	128284	2.375/2.389	2.440	2.903	3.291
4	MV 4 IPS	128287	4.500/4.519	3.149	5.442	4.736



Frialen End Cap

Industry-leading traceability

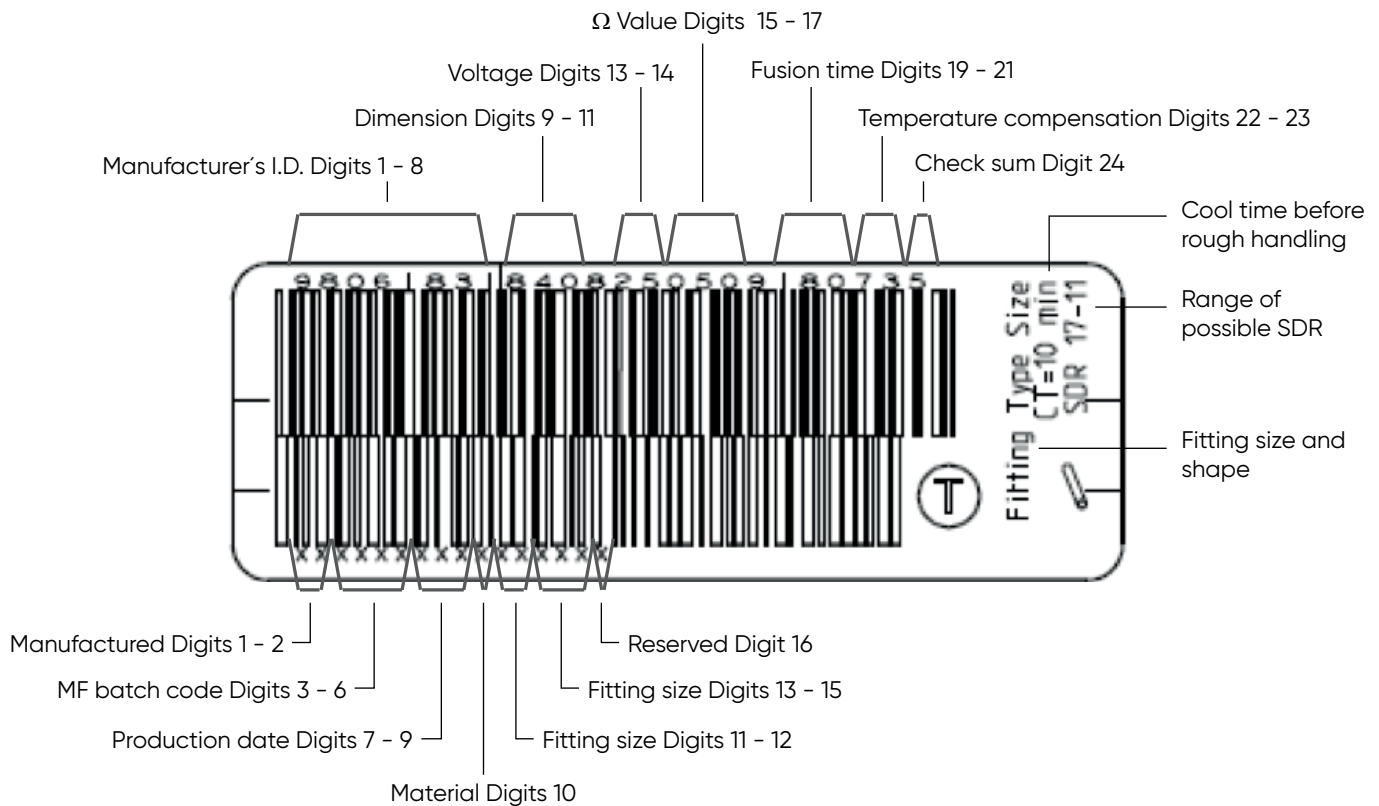
With the industry's most advanced barcode monitoring, recording and traceability technology, IPEX makes managing your infrastructure easier than ever before. Imagine, no more hidden costs or surprises on future dig ups. Instead, you'll know when, where and how every coupling in your system was installed, and by whom.

All these benefits add up to deliver substantial time and cost savings on every project.

Barcode Label - description

Upper Barcode: ISO 13950 Universal Programming Code

Lower Barcode: ASTM F-2897 Tracking and Traceability Code



Frialen End Cap

Technical Data

- Material: Resin ELTEX TUB 121 N 6000
- Terminal Pin: 4mm
- Marking: FRIALEN Safety Fittings
XXIPS SDR11
PE4710 CEE G
ASTM D2513 F1055
AWWA C901 (up to 2"), AWWA C906 (from 4"), FM 160 (from 4")
NSF-61-G

Batch Code Stamp

- Production week (KW) (stamp 1+2)
- Production year (stamp 2 center)
- Material identification letter (stamp 3)

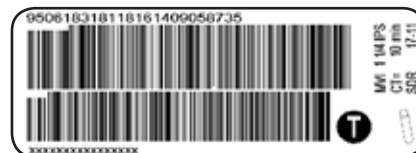


Barcode Label* - End Cap

END CAP 1" IPS



END CAP 1-1/4" IPS



END CAP 2" IPS



END CAP 4" IPS



* These barcodes are representations of the functional barcodes which are affixed to the fitting and may not contain critical parameters. The functional barcode affixed to the fitting contains parameters which are relevant at time of production.

For actual fusion and traceability purposes, ONLY the functional barcode affixed to the fitting may be used.

Aliaxis: Parent company

Aliaxis Germany formally Friatec / Manufacture of the Frialen Safety Fitting product line of Couplings, Saddles, Tees and tooling

Innogaz Manufacture of the IPEX EFS Tapping Tee.

IPEX distributor and manufacture of Electrofusion products in North America for sister companies in Aliaxis family, and partner for product and training and support.

About IPEX by Aliaxis

As leading suppliers of thermoplastic piping systems, IPEX by Aliaxis provides our customers with some of the world's largest and most comprehensive product lines. All IPEX by Aliaxis products are backed by more than 50 years of experience. With state-of-the-art manufacturing facilities and distribution centers across North America, we have earned a reputation for product innovation, quality, end-user focus and performance. .

Markets served by IPEX by Aliaxis products are:

- Electrical systems
- Telecommunications and utility piping systems
- Industrial process piping systems
- Municipal pressure and gravity piping systems
- Plumbing and mechanical piping systems
- Electrofusion systems for gas and water
- Industrial, plumbing and electrical cements
- Irrigation systems
- PVC, CPVC, PP, PVDF, PE, ABS, and PEX pipe and fittings

Products manufactured by IPEX Inc. and distributed in the United States by IPEX USA LLC.

This literature is published in good faith and is believed to be reliable. However, it does not represent and/or warrant in any manner the information and suggestions contained in this brochure. Data presented is the result of laboratory tests and field experience.

A policy of ongoing product improvement is maintained. This may result in modifications of features and/or specifications without notice.