

**Submittal Data Sheet**



Job or Customer: .....

Engineer: .....

Contractor: .....

Submitted by: ..... Date .....

Approved by: ..... Date .....

Order No: ..... Date .....

Specification: .....

**ADDITIONAL CORROSIVE  
WASTE PRODUCTS**

**ENFIELD™**  
ELECTROFUSION ACID WASTE SYSTEM

**LABLINE®**  
MECHANICAL JOINT ACID WASTE SYSTEM

**PLENUMLINE™**  
FR-PVDF MECHANICAL JOINT ACID WASTE SYSTEM

**NEUTRATANK®**  
NEUTRALIZATION TANKS

**Encase™**  
PP Double Containment System

IPEX corrosive waste piping system has all the accessories necessary for a truly integrated plumbing system, including adjustable acid-resistant floor drains.

For efficiently managing chemical spills, our Floway™ adjustable polypropylene drain ports are specially designed to feed into IPEX acid waste systems.

Key Advantages of the IPEX Floway™ adjustable polypropylene floor drains include:

- Outlet sizes available from 2" – 6"
- Can be configured with adjustable strainers, round funnels, sediment baskets and plain end or threaded outlets
- Adjustable height feature allows for easy leveling after pouring the finished floors

**product availability**

- Adjustable floor drain
- Adjustable floor drain with sediment basket
- Adjustable floor drain with sediment basket and funnel
- Adjustable floor drain with funnel
- Adjustable acid waste cleanout with nickel-bronze cover
- Adjustable height

#### FLOWAY™ POLYPROPYLENE DRAIN DIMENSIONS – ADJUSTABLE

SPECIFICATION: Floway series F1000 polypropylene adjustable floor drain with 6" diameter strainer and plain end outlet. Body with 14-1/2" diameter flange, and non-puncturing style flashing collar with weep holes.

##### SERIES F1000 ADJUSTABLE FLOOR DRAIN

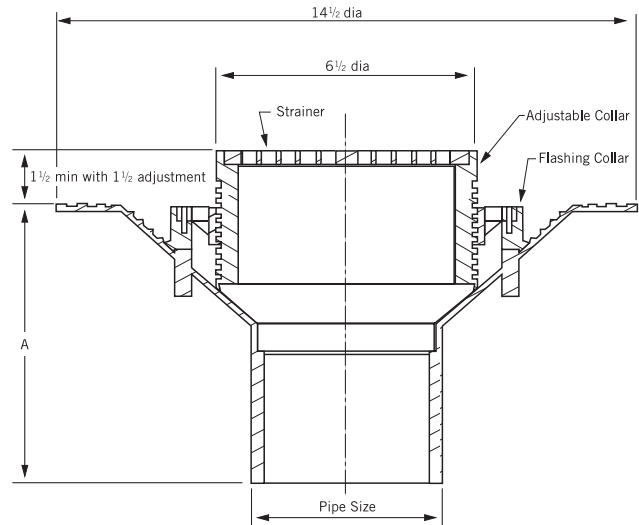
Cat. No.	Outlet Size (in)	A (in)	Wgt (lbs)
F1201	2*	10-5/8	3.2
	3	7	2.7
F1401P	4	7	2.8
F1601P	6	7	3.1

All drains are minimum 3" diameter.

\* For 2" drains, use the appropriate Enfield or Labline reducer.

##### OPTIONS

- Gas tight plug
- Male iron pipe thread outlet



SPECIFICATION: Floway series F1000 polypropylene adjustable floor drain with 6" diameter strainer, sediment basket, and plain end outlet. Body with 14-1/2" diameter flange, and non-puncturing style flashing collar with weep holes.

##### SERIES F1000 ADJUSTABLE FLOOR DRAIN WITH SEDIMENT BASKET

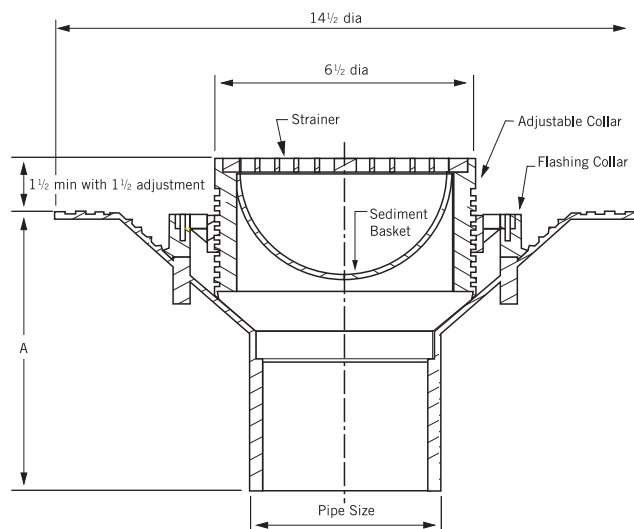
Cat. No.	Outlet Size (in)	A (in)	Wgt (lbs)
F1202	2*	10-5/8	3.2
F1302P	3	7	2.7
F1402P	4	7	2.8
F1602P	6	7	3.1

All drains are minimum 3" diameter.

\* For 2" drains, use the appropriate Enfield or Labline reducer.

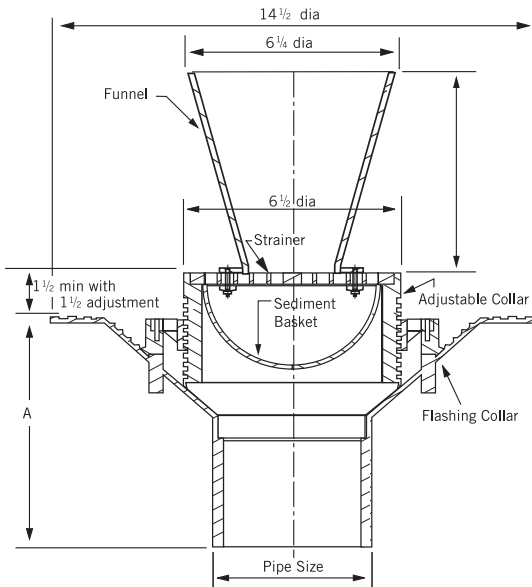
##### OPTIONS

- Gas tight plug
- Male iron pipe thread outlet



### FLOWAY™ POLYPROPYLENE DRAIN DIMENSIONS – ADJUSTABLE

SPECIFICATION: Floway series F1000 polypropylene adjustable floor drain with 6" diameter strainer, sediment basket, 6" diameter funnel and plain end outlet. Body with 14-1/2" diameter flange, and non-puncturing style flashing collar with weep holes.



#### SERIES F1000 ADJUSTABLE FLOOR DRAIN WITH SEDIMENT BASKET AND 6" ROUND FUNNEL

Cat. No.	Outlet Size (in)	A (in)	Wgt (lbs)
F1203	2*	10-5/8	3.2
F1303P	3	7	2.7
F1403P	4	7	2.8
F1603P	6	7	3.1

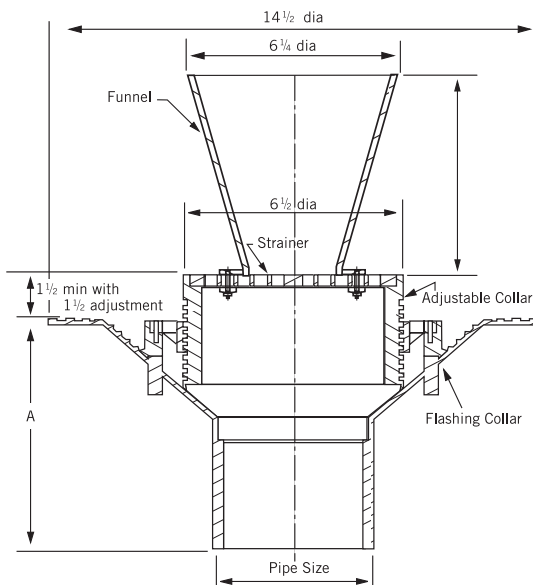
All drains are minimum 3" diameter.

\* For 2" drains, use the appropriate Enfield or Labline reducer.

#### OPTIONS

- Gas tight plug
- Male iron pipe thread outlet

SPECIFICATION: Floway series F1000 polypropylene adjustable floor drain with 6" diameter strainer, 6" diameter funnel and plain end outlet. Body with 14-1/2" diameter flange, and non-puncturing style flashing collar with weep holes.



#### SERIES F1000 ADJUSTABLE FLOOR DRAIN WITH 6" ROUND FUNNEL

Cat. No.	Outlet Size (in)	A (in)	Wgt (lbs)
F1204	2*	10-5/8	3.2
F1304P	3	7	2.7
F1404P	4	7	2.8
F1604P	6	7	3.1

All drains are minimum 3" diameter.

\* For 2" drains, use the appropriate Enfield or Labline reducer.

#### OPTIONS

- Gas tight plug
- Male iron pipe thread outlet

## FLOWAY™ POLYPROPYLENE DRAIN OPERATIONAL NOTES

Test	Test Standard	Conditions	Unit	Safe Load
Static Load Test	Adjustable	72°F / full face loading	lbf	2750

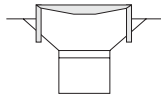
The maximum safe live load was calculated by dividing the load at failure by two.

**Note:**

- i. The press test simulates (under laboratory conditions) the resistance to buckling of floor drains under given loadings and surface area considerations.
- ii. It is not meant to simulate every type of wheel design loading as this will vary according to the equipment supplier.
- iii. The larger the wheel diameter, the more likely it is that the full face loading result can be used as an indication of resistance to load
- iv Polypropylene will normally recover to near its original dimensions after the load is removed.

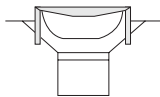
Dimension inches	Significant Number	Product Code
------------------	--------------------	--------------

F1000 Series Adjustable Floor Drain



Enfield 2	F1201L	237001
Labline 2	F1201W	237075
3	F1301P	237011
4	F1401P	237021
6	F1601P	237031

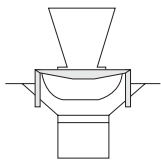
F1000 Series Adjustable Floor Drain



Enfield 2	F1202L	237002
Labline 2	F1202W	237076
3	F1302P	237012
4	F1402P	237022
6	F1602P	237033

w/ Sediment Basket

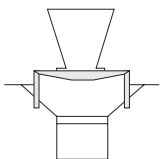
F1000 Series Adjustable Floor Drain



Enfield 2	F1203L	237003
Labline 2	F1203W	237077
3	F1303P	237013
4	F1403P	237023
6	F1603P	237034

w/ Sediment Basket and 6" Round Funnel

F1000 Series Adjustable Floor Drain



Enfield 2	F1204L	237004
Labline 2	F1204W	237078
3	F1304P	237014
4	F1404P	237024
6	F1604P	237032

w/ 6" Round Funnel Only

Size (inches):

- 2" Enfield       2" Labline  
 3                       4  
 6                       4

Sediment Basket:

- Yes  
 No

6" Round Funnel:

- Yes                       No

Options (select all that apply):

- Gas Tight Plug  
 Male Iron Pipe Thread Size Outlet

IPEX Part Number:

-----

	Dimension inches	Significant Number	Product Code
<b>Gas Tight Plug</b>			
	3	P20036	237815
	4	P20037	237816
	6	P20038	237817
<b>Blank Cover for F Series Drains</b>			
	F1000 Series	P20034	237814
<b>Round Funnel</b>			
	6	P20017	237810
<b>Sediment Basket Strainer for F Series Drains</b>			
	F1000 Series	P20016	237809
<b>Grid Strainers for F Series Drains</b>			
	F1000 Series	P20013	237807
<b>Male Iron Pipe Threaded Outlet</b>			
	3	-	257091
	4	-	257092
<b>FPT Tap for Priming Drain Assembly</b>			
	3/8	-	237430
	1/2	-	237429
<b>Trap Primer 12" Length w/ 1/2" FPT</b>			
	2	-	257126
	3	-	257127
	4	-	257128

IPEX components are dimensionally matched; do not install system of mixed brands without our expressed written consent.

**About the IPEX Group of Companies**

As leading suppliers of thermoplastic piping systems, the IPEX Group of Companies provides our customers with some of the world's largest and most comprehensive product lines. All IPEX products are backed by more than 50 years of experience. With state-of-the-art manufacturing facilities and distribution centers across North America, we have established a reputation for product innovation, quality, end-user focus and performance.

Markets served by IPEX group products are:

- Electrical
- Telecommunications and utility
- Industrial process piping
- Municipal pressure and gravity flow
- Plumbing and DWV and water supply
- Irrigation
- Electrofusion PE for gas and water
- Industrial, plumbing and electrical cements
- PVC, CPVC, PVCO, ABS, PE, PEX, PP and PVDF pipe and fittings

Products are supplied and distributed in the United States by IPEX USA LLC.

Flowway™, Enfield™, Labline®, Plenumline™, Neutratanke® and Encase™ are trademarks of IPEX Branding Inc.

---

This literature is published in good faith and is believed to be reliable. However, it does not represent and/or warrant in any manner the information and suggestions contained in this brochure. Data presented is the result of laboratory tests and field experience.

A policy of ongoing product improvement is maintained. This may result in modifications of features and/or specifications without notice.