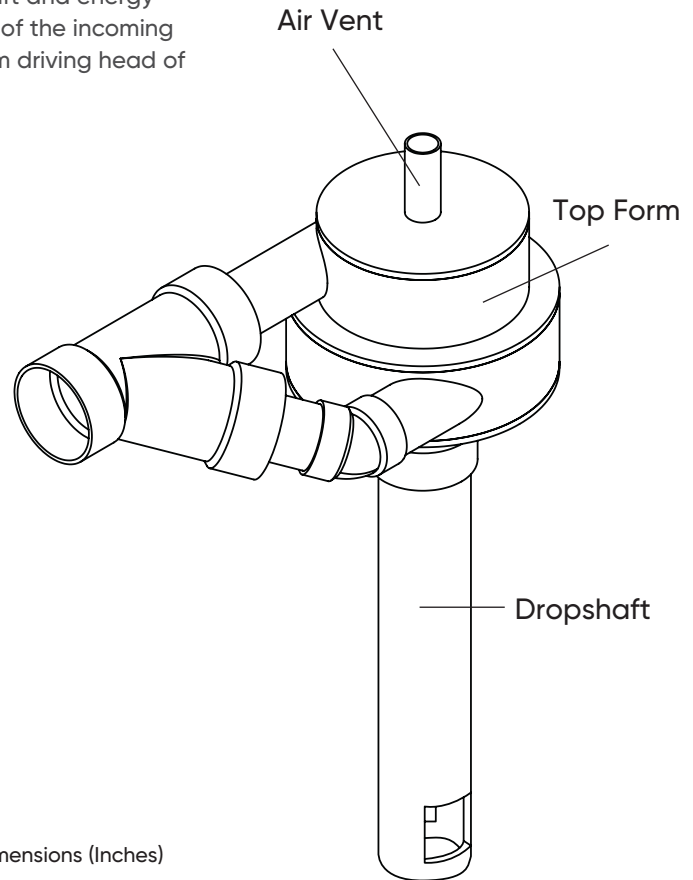
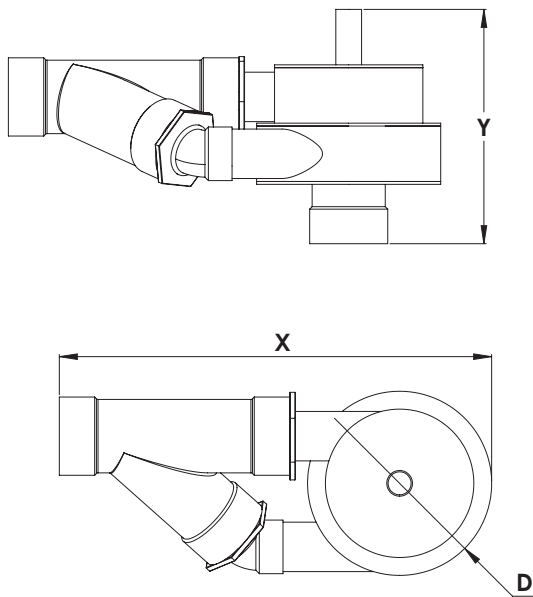


The Vortex Force aerator is a highly effective aeration device that significantly increases the dissolved oxygen concentration of incoming sewage. The incoming sewage is split into two paths and spun in opposite directions, the two flows then meet at the dropshaft and vigorously mix with air as the flow continues down the dropshaft. The Vortex Force is a suitable aeration device for forcemain drop structures and wet well applications.

The top form of the device easily attaches to the drop shaft and energy dissipation pool (optional). Sizing is based on the flowrate of the incoming forcemain and can be found in the table below. A minimum driving head of 3' is required.

MATERIAL
PVC



Size	Inlet Diameter	Flow Rate (GPM)	Dimensions (Inches)		
			X	Y	D
X-Small	2"	20 - 65	17	11	9
Small	4"	125 - 350	39	23	16
Medium	8"	350 - 1,100	50	25	24
Large	12"	1,100 - 2,600	75	41	32
Extra Large	20"	2,600 - 6,000	116	65	51

- Energy dissipation pool is required for manhole applications and not required for submerged applications.
- Energy dissipation pool has the same dimension as D. Dropshaft length to be provided by customer.