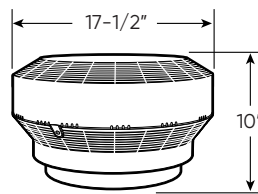


Duraflo® Turbine Ball Replacement

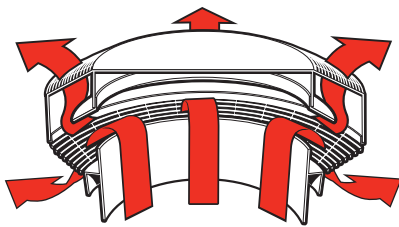
Installed on an existing base from a whirlybird, or turbine vent, either 12 or 14 inch, the Duraflo® WeatherPro® Turbo Ball Replacement is intended for a sloped, shingled roof to ventilate hot, moist attic air as part of a balanced ventilation system. Installed within 24 inches of the roof's peak.

Turbine Ball Replacement 17.5" x 10" (1/carton)

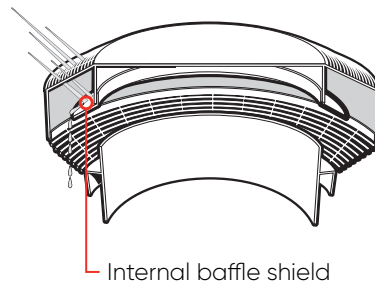
Color	Part Number
Black	6001BL
Brown	6001BR
Gray	6001G
Weatherwood	6001WW



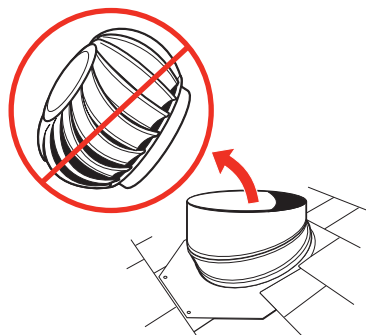
Superior Air Flow



Replaces Traditional Turbines



Replaces Traditional Turbines



WeatherPRO's patented internal baffles deflect water and snow, allowing it to drain harmlessly out the drainage openings. Designed to allow high airflow while providing excellent defense against weather infiltration.

Note: When using a Duraflo Turbine replacement top, Duraflo recommends replacing all Turbine tops to ensure a balanced ventilation system.

Features:

- Superior air flow
- Installs over existing 12" & 14" bases
- No maintenance
- Replaces traditional "squeaking" turbines easily without removing existing vent base or shingles
- 117 sq. in. net free area
- Resists crushing, denting and peeling



Contact us

Visit our website: ipexna.com /
sales@ipexamerica.com

Eastern U.S. Toll free: (800) 463-9572
Western U.S. Toll free: (888) 461-5307

Duraflo® is a registered trademark.