

ELECTROFUSION SYSTEMS

PRODUCT INFORMATION BULLETIN



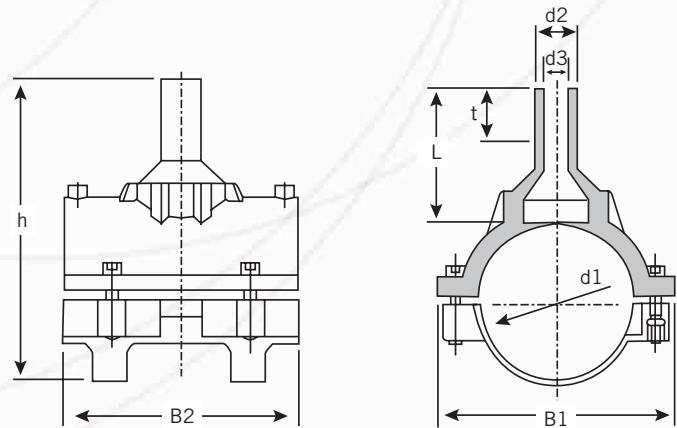
Friatec® SA Branch Saddles

IPEX offers its industry-leading Friatec SA Branch Saddles product in sizes 3" to 8". The product line now includes 6" x 4" and 8" x 4" IPS configurations, giving contractors and engineers more flexibility on the job site.



FEATURES & BENEFITS

- Compact construction
- SDR11
- HDPE saddle with exposed heating element for optimal heat transfer
- Extra wide fusion zone
- Full pressure rating – 200 psi water, 100 psi gas



Nominal Pipe d1 (in)	Main Size d2	Nominal Outlet	Product Code	d3	L	h	t	B1	B2
* 3"	IPS	2 IPS	228184	1.969	4.055	8.150	2.756	6.102	5.906
* 4"	IPS	2 IPS	228185	1.929	4.291	9.173	2.205	6.890	7.087
* 4"	DIPS	2 IPS	228296	1.929	4.291	9.173	2.205	6.890	7.087
* 6"	IPS	3 IPS	228180	2.717	5.079	11.496	3.937	8.543	9.646
* 6"	IPS	4 IPS	228277	3.543	5.512	12.256	4.291	9.055	10.433
† 8"	IPS	4 IPS	228276	3.543	5.512	14.256	4.370	11.220	11.024
*10" – 22" – TL	IPS								
*10" – 20" – TL	DIPS	3 IPS	228187	2.402	4.567	–	3.150	–	7.874

* FRIATEC Pneumatic Top-loading tool required

† Comes with undersaddle



Friatec® is manufactured by IPEX Inc.
FRIATEC AG is distributed in the United States by IPEX USA LLC.
Friatec® is a trademark of FRIATEC AG.

PIMNNAIP170203RC
© 2019 IPEX

IPEX Inc.
Toll Free: (866) 473-9462
ipexna.com